



H12SDX H15SDX H18SDX

Rough-terrain
scissor lift

- 1.980 lb (900 kg) lift capacity.
- 45% gradeability.
- 20 ft x 6 ft (6 m x 1.8 m) platform*.
- Standard 4 wheel drive.

*with twin extension decks.



ISO 9001
GROUP
PINGUELY
HAULOTTE



ARTICULATED BOOMS



VERTICAL MASTS



TELESCOPIC BOOMS



SCISSOR LIFTS



TRAILERS

Haulotte®

ON THE UP

H12SDX H15SDX H18SDX

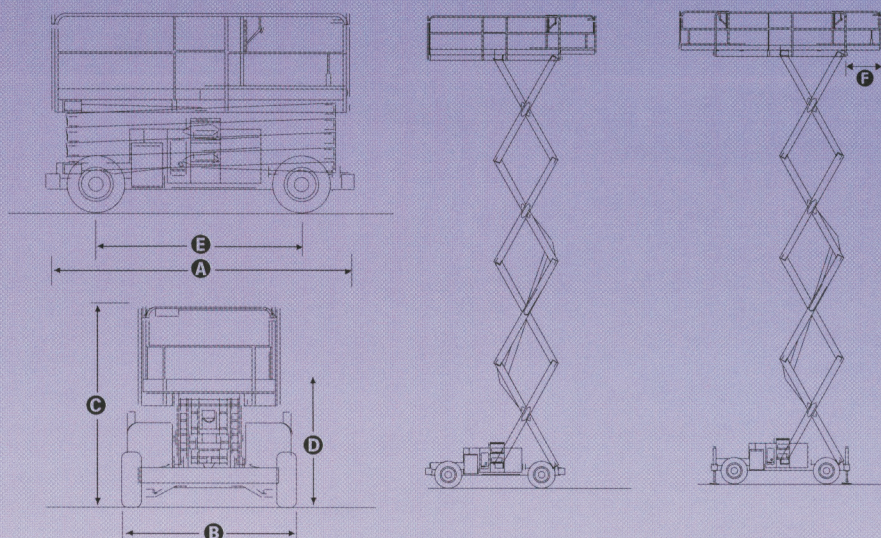
ROUGH-TERRAIN SCISSOR LIFT

STANDARD FEATURES

- Hatz silent pack diesel engine
- 4 wheel drive
- Tilt alarm
- 16 ft 2 in x 6 ft (4.92 m x 1.8 m) all steel platform (includes single sliding deck extension)
- 12V - 95 Ah batteries
- 14 V - 50 A alternator
- Removable operator's control box
- Free wheeling device
- Hourmeter
- Towing hooks
- Hydraulic brakes
- Emergency lowering system

OPTIONS AND ACCESSORIES

- Catalytic exhaust
- Rotating beacon
- Travel alarm
- Self levelling outriggers
- Extra wide tyres
- Power outlet on platform
- Working light



CARACTERISTIQUES

	H12 SDX		H15 SDX		H18 SDX	
Working Height	39'	12 m	49ft	15 m	59'	18 m
Platform Height	33'	10 m	43ft	13 m	53'	16 m
Platform Capacity	1.980 lb	900 kg	1.540 lb	700 kg	1.320 lb	600 kg
A Length	13' 6"	4.12 m	13ft 6in	4.12 m	13' 6"	4.12 m
B Width	7' 5" 7' 5"	2.25 m	7ft 5in	2.25 m	7' 5"	2.25 m
C Stowed Height (guardrails)	8' 5"	2.57 m	9ft 1in	2.77 m	9'	2.97 m
D Stowed Height (platform)	5' 7"	1.74 m	6ft 3in	1.92 m	6' 3"	1.92 m
E Wheelbase	9'	2.74 m	9ft	2.74 m	9'	2.74 m
Platform size	16' 2" x 6'	4.92 x 1.8 m	16ft 2in x 6ft	4.92 x 1.8 m	16ft 2in x 6ft	4.92 x 1.8 m
F Platform extension	3' 3"	1 m	3' 3"	1 m	3' 3"	1 m
Drive speed	0.7 / 3.7 mph	1.1 / 6 km/h	0.7 / 3.7 mph	1.1 / 6 km/h	0.7 / 3.7 mph	1.1 / 6 km/h
Outside turning radius	15ft 9in	4.80 m	15ft 9in	4.80 m	15' 9"	4.80 m
Ground clearance	13,8 in	35 cm	13,8 in	35 cm	13,8"	35 cm
Raise / Lower speed	50 / 60 sec.	50 / 60 sec.	50 / 60 sec.	50 / 60 sec.	50 / 60 sec.	50 / 60 sec.
Power source	Diesel 32 hp	Diesel 32CV	Diesel 32 hp	Diesel 32CV	Diesel 32 hp	Diesel 32CV
Gradeability	45%	45%	45%	45%	45%	45%
Tilt alarm	5°	5°	5°	5°	3°	3°
Tyres (Foam Filled)	10 x 16.5	10 x 16.5	10 x 16.5	10 x 16.5	10 x 16.5	10 x 16.5
Hydraulic tank	22 gallons	100 l	22 gallons	100 l	22 gallons	100 l
Fuel tank	14 gallons	65 l	14 gallons	65 l	14 gallons	65 l
Weight	13.227 lb	5.140 kg	13.227 lb	6.000 kg	15.070 lb	6.850 kg



Haulotte®

HAULOTTE UK LTD • Stafford Park 6 - Telford - Shropshire TF3 3AT - UK • Tel : +44 (0)1952 292753 • Fax : +44 (0)1952 292758 • e-mail: haulotte@haulotte.co.uk
 HAULOTTE SCANDINAVIA AB • Aröds Industriväg 66B - 44243 Hisingsbacka - SWEDEN • Tel : +46 (0) 31 744 32 90 • Fax : +46 (0) 31 744 32 99 • e-mail: hwallin@haulotte.se
 HAULOTTE AUSTRALIA PTY LTD • 39 Nicholas Drive - Dandenong - VIC - 3175 - AUSTRALIA • Tel : +61 (0)3 9706 6787 • Fax : +61 (0)3 9706 6797 • e-mail: sales@haulotte.com.au
 PINGUELY-HAULOTTE GROUP • La Péronnière - B.P. 9 - 42152 L'Horme - FRANCE • Tél : +33 (0) 4 77 29 24 24 • Fax : +33 (0) 4 77 29 43 95 • e-mail: haulotte@haulotte.com
 Web : <http://www.haulotte.com>